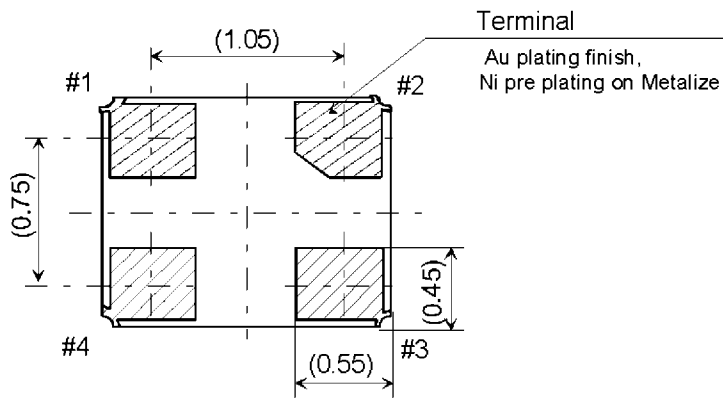
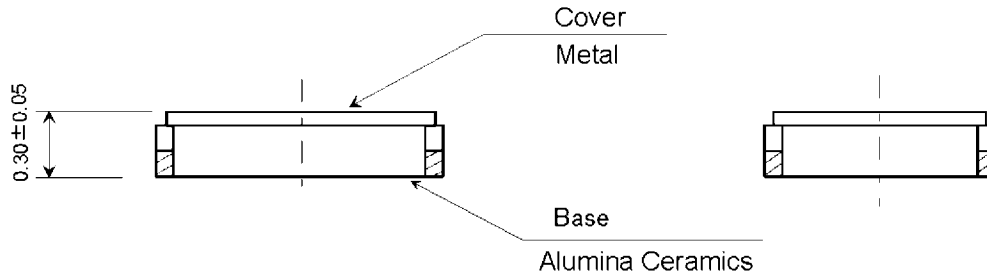
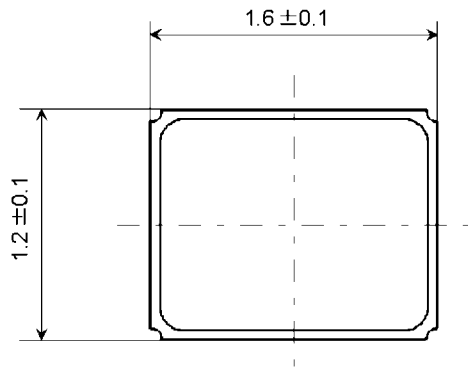


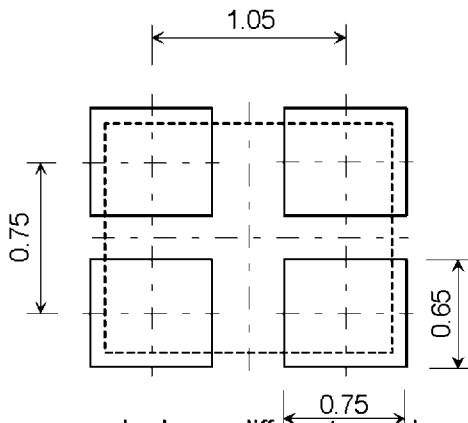


REFERENCE SPECIFICATION

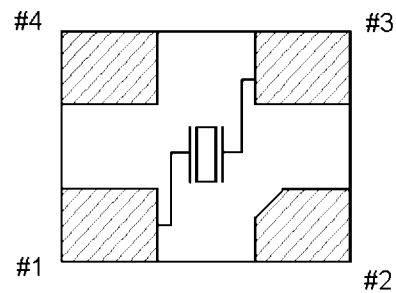
1. Customer specifications number : ---
2. NDK specification number :
3. Type : NX2016AA
4. Electrical characteristics
- 4.1. Nominal Frequency (F_0) : 32 MHz
- 4.2. Overtone Order : Fundamental
- 4.3. Adjustment Tolerance : $\pm 8 \times 10^{-6}$ Max. (at + 25 °C)
- 4.4. Frequency stability over temperature : $\pm 12 \times 10^{-6}$ Max. (at - 30 to + 85 °C)
The reference temp. shall be +25 °C
- 4.5. Equivalent Resistance (R_R) : 100 Ω Max.
- 4.6. Insulation Resistance : Terminal to terminal insulation resistance also terminal to cover insulation resistance must be 500M Ω (Min.) when DC100V \pm 15V is applied.
5. Measurement circuit
- 5.1. Frequency measurement
- Measuring instrument : IEC π -network
 - Load capacitance (C_L) : 8 pF
 - Level of drive : 10 μ W
- 5.2. Equivalent resistance measurement
- Measuring instrument : IEC π -network
 - Load capacitance (C_L) : Series
 - Level of drive : 10 μ W
6. Other performances
- 6.1. Air-tightness : Less than 3×10^{-9} Pa m³/s (Helium leak detector)
- 6.2. Operating Temperature range : - 30 to + 85 °C
- 6.3. Storage Temperature range : - 40 to + 85 °C
- 6.4. Maximum drive level : 200 μ W Max.
7. Examination results document
- Since a performance is guaranteed, an examination results document does not submit.



LAND PATTERN (TYPICAL)



[TOP VIEW] PIN CONNECTION



TERMINAL
 #1, #3: X'tal
 #2: GND (Connected to Cover)
 #4: NC

NOTE

- The appearance color has a different case by purchasing it more than 2 suppliers, but reliability is guaranteed.